

Mi Series Megapixel IP Camera



Driving IP-based physical security through global standardization

VN6xSMi Night Vision Outdoor IR Camera

H.264 / M-JPEG Dual Stream, 1.3 Megapixel Sony CMOS Sensor, Day/Night, Standard PoE, Night Vision with IR LED's, Motorized Zoom Lens, IPv4 & IPv6 Compatible
Model: VN6xSMi



VN6xSMi is an outdoor night vision IR camera with 30M IR distance. State-of-the-art IR technology has been adopted onto this item, which prevents any saturation of image due to intense IR light.

IP67 weather proof enclosure and convenient cable managed bracket provides a rugged and installer-friendly solution for any outdoor surveillance application.

Conformant with ONVIF Core 1.02.

Features

- 1.3 Megapixel 1/3" SONY progressive scan CMOS image sensor for excellent image quality
- IP67 rated weather-proof
- Cable managed bracket
- Extended IR life span
- Dual Streaming of H.264 and M-JPEG
- Up to 30 frames per second at all image resolutions
- Supports image resolutions up to HD(720p) (1280x720)



Product info support@visionhitech.co.kr
Marketing vht@visionhitech.co.kr

- IPv4 & IPv6 compatible
- Integrated motion detection with pre- and post-alarm image/video buffering
- Event-triggered FTP and email upload of still images and videos
- Full Duplex Two-Way Audio Support(Optional)
- Digital PTZ
- UPnP supported
- 1 Port analog video loop-out port
- External microphone input & speaker output connector (Option)
- Terminal block for external sensors devices
- Supports CBR (constant bit rate) and VBR (variable bit rate) modes
- Controllable frame rate
- Video access through any standard Web browser
- Privacy Masking up to 4 areas
- Supports IEEE 802.3af Power over Ethernet injectors, mid- and end-spans
- Integrated HTTP Web server supporting 50 simultaneous user connections
- HTTPS supported (Hyper Text Transfer Protocol Secured)
- Integrated E-Mail, FTP, DDNS and DHCP client
- Extensive CGI API for software integration and remote programming operations
- Includes Windows based IP Installer and License-free 16 channel NVR(Network Video Recorder) software

Specifications

Classification		Specification
General	CPU	32-bit ARM9 RISC CPU up to 533MHz, 32KB I/D-Cache, MMU
	Video Buffer	16Mbyte Video Frame Buffer
	Flash	16 Mbyte Flash Memory
	SDRAM	256Mbyte
Image Pickup	Image sensor	1.3 Megapixel 1/3" SONY progressive scan CMOS image sensor
	Total Pixels	1384(H) x 1076(V) 1.49 Megapixel
	Effective Pixels	1329(H) x 1049(V) 1.39 Megapixel
	S/N Ratio	More than 50dB
	Min. Illumination	0Lux (IR On)
	IR Distance	30M
	Lens	3.7mm Megapixel Board Lens
Video	Video compression	H.264 baseline profile, Motion JPEG
	Resolutions	Up to 1280 x 720
	Frame rate	H.264 Up to 30fps with 1280x720

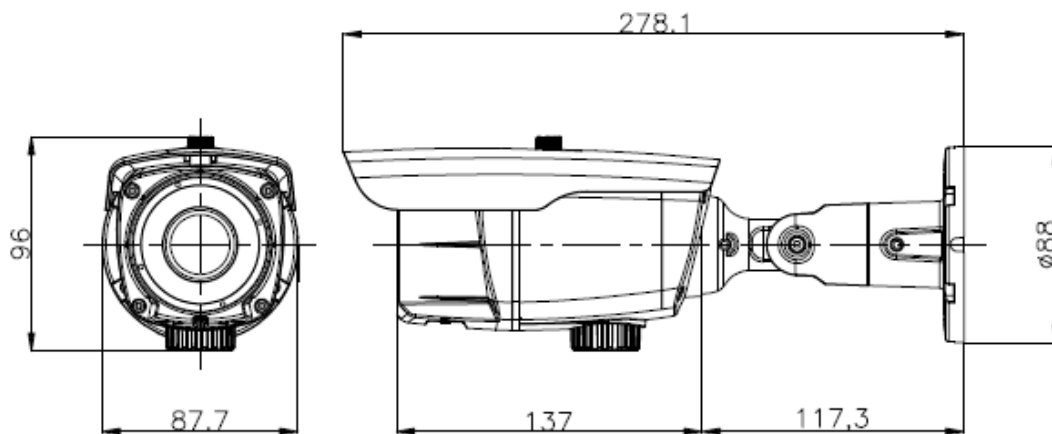


		MJPEG Up to 15fps with VGA resolution (Simultaneous dual stream)
	Video streaming	Support multi stream with H.264, MJPEG
		Adjustable frame rate
		VBR/CBR in H.264
	Pan/Tilt/Zoom	Digital PTZ
	Image setting	Day & Night
		Auto White Balance
		Auto Exposure
		Privacy Mask
		Effect - Color, Sharpness, Mirror/V-Flip, etc.
	Output	BNC x1, 1.0Vp-p, 75 ohm Composite Video, NTSC/PAL
Audio (Option)	Audio streaming	Two-way, full duplex
	Audio compression	G.711
	Sample Rate	8KHZ
	Data Rate	64Kbps
	Audio input	Microphone input /1 x Line-In (Mono)
	Audio output	Line output/ 1 x Line-Out (Mono)
Serial	Port1	RS-485
	Data Rate	600bps~ 115200bps
Network	Security	Password protection
		User access log
		HTTPS encryption
	Supported protocol	HTTP, HTTPS, FTP, SMTP, UPnP, DNS, DynDNS, NTP RTSP, RTP, TCP, UDP, ICMP, DHCP
System integration	Intelligent video	Motion detection up to 1280x720 with 32x24 blocks
	Alarm trigger	Motion detection
		External input/Normal Open/Close Type
	Alarm events	File upload via ftp, e-mail
		Notification via email, FTP and TCP
	Video buffer	16MB pre-alarm and post-alarm
	Recording	Save to SD/SDHC card with event mode and continuous mode
	Firmware upgrade	Remote upgrade via network
API	CGI Interface document	
	ActiveX Interface(ocx(dll) + document)	
etc	RESET Button	1 x Factory Reset Button
Physical	Power Source	DC 12V/1.5A, PoE(Power over Ethernet): 802.3af

	Power Consumption	Max. 6.0W, Max. 10.8W with IR On
	Net Weight	1200g (Camera Only)
	LED's	Power, Network Connection
	Dimension	87.7(W) X 96mm(H) X 278mm(D) including Bracket
Environment	Operating Temperature	-25 degree~50 degree Celsius (-13F~122F)
	Storage Temperature	-25 degree~60 degree Celsius (-13F~140F)
Software	Included Software	NVR Lite (16 Channel), IP Installer (Windows Only)
Package	Package Contents	Network Camera, Use Manual, External Power Adaptor, Software CD

■ Specifications are subject to change without prior notice to enhance performance and stability

Dimension



Connectors

